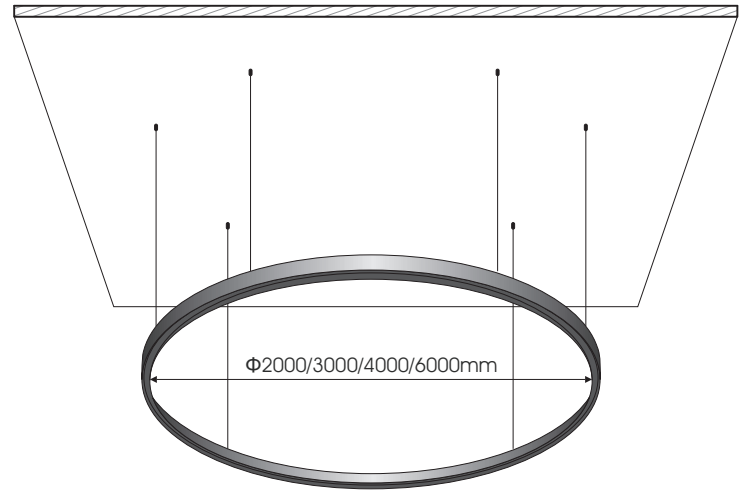
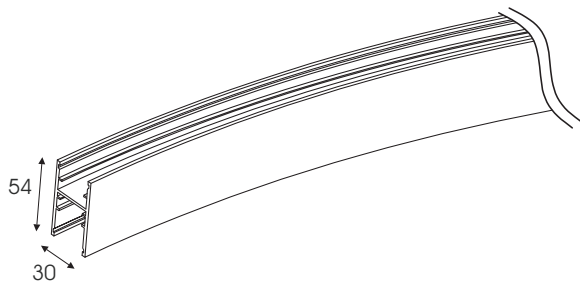
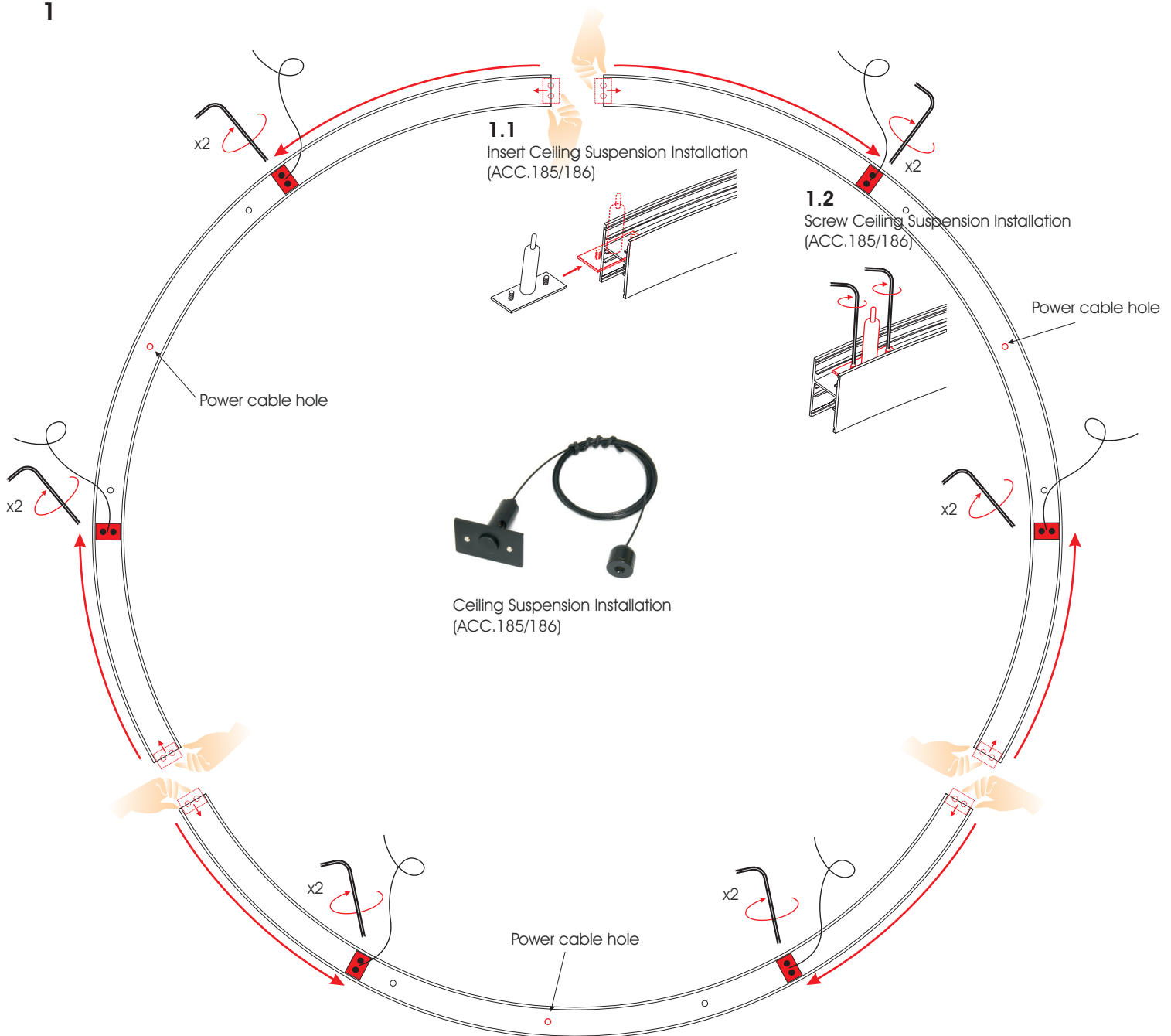


# CLICK IT ROUND Pendant Track CLK.155,156,157,158,159,160,161,162

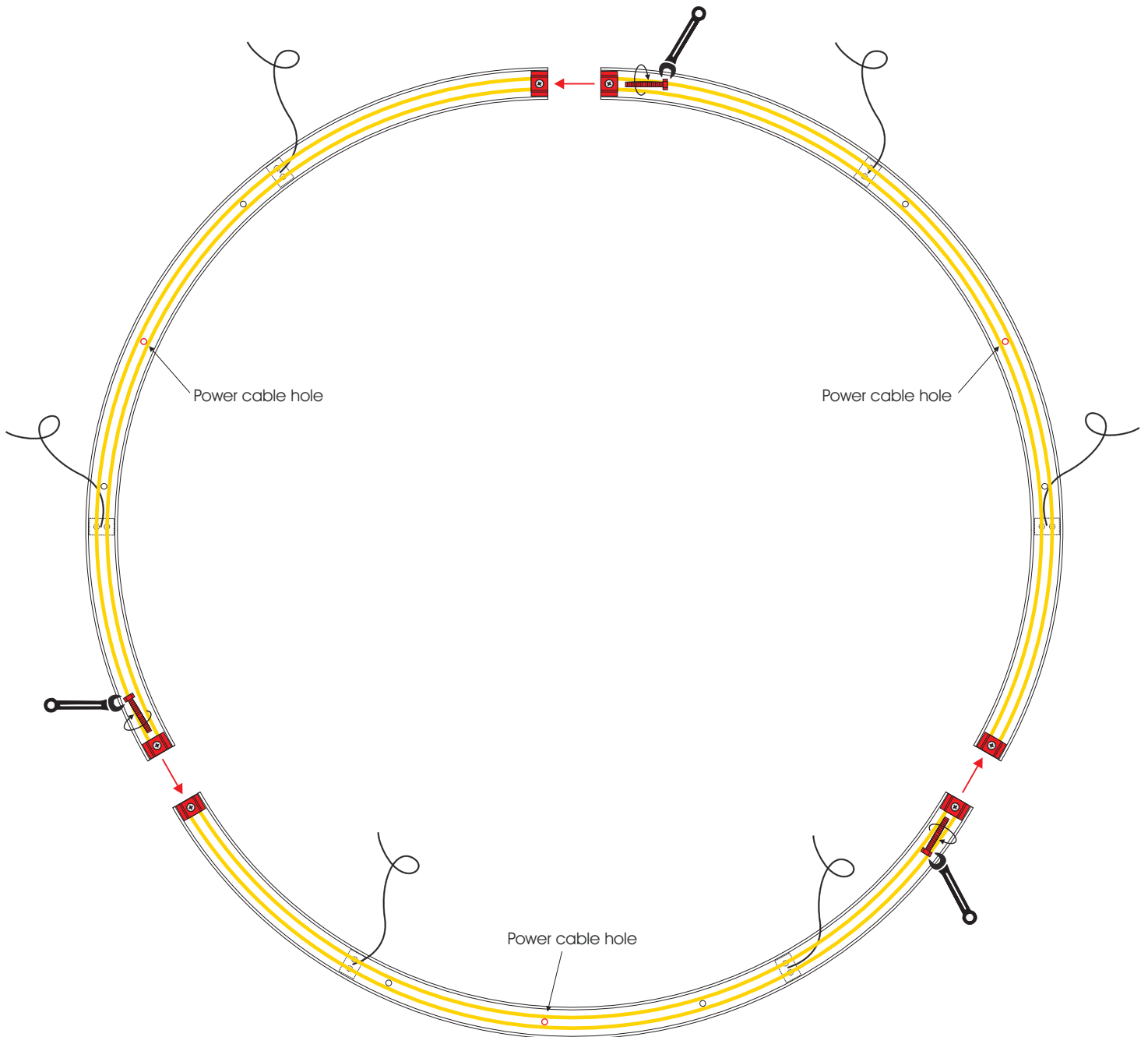
Installation Manual



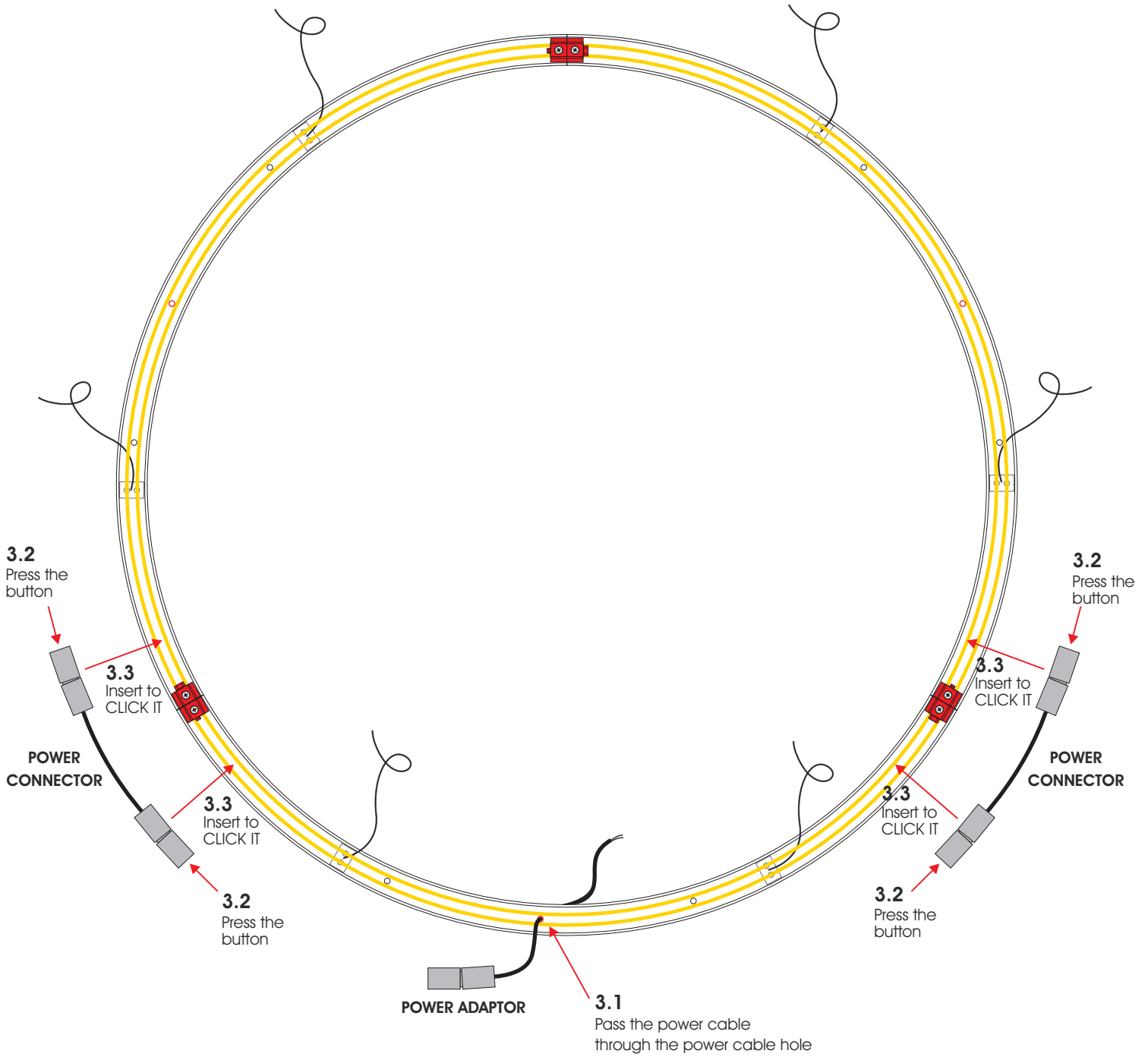
## 1



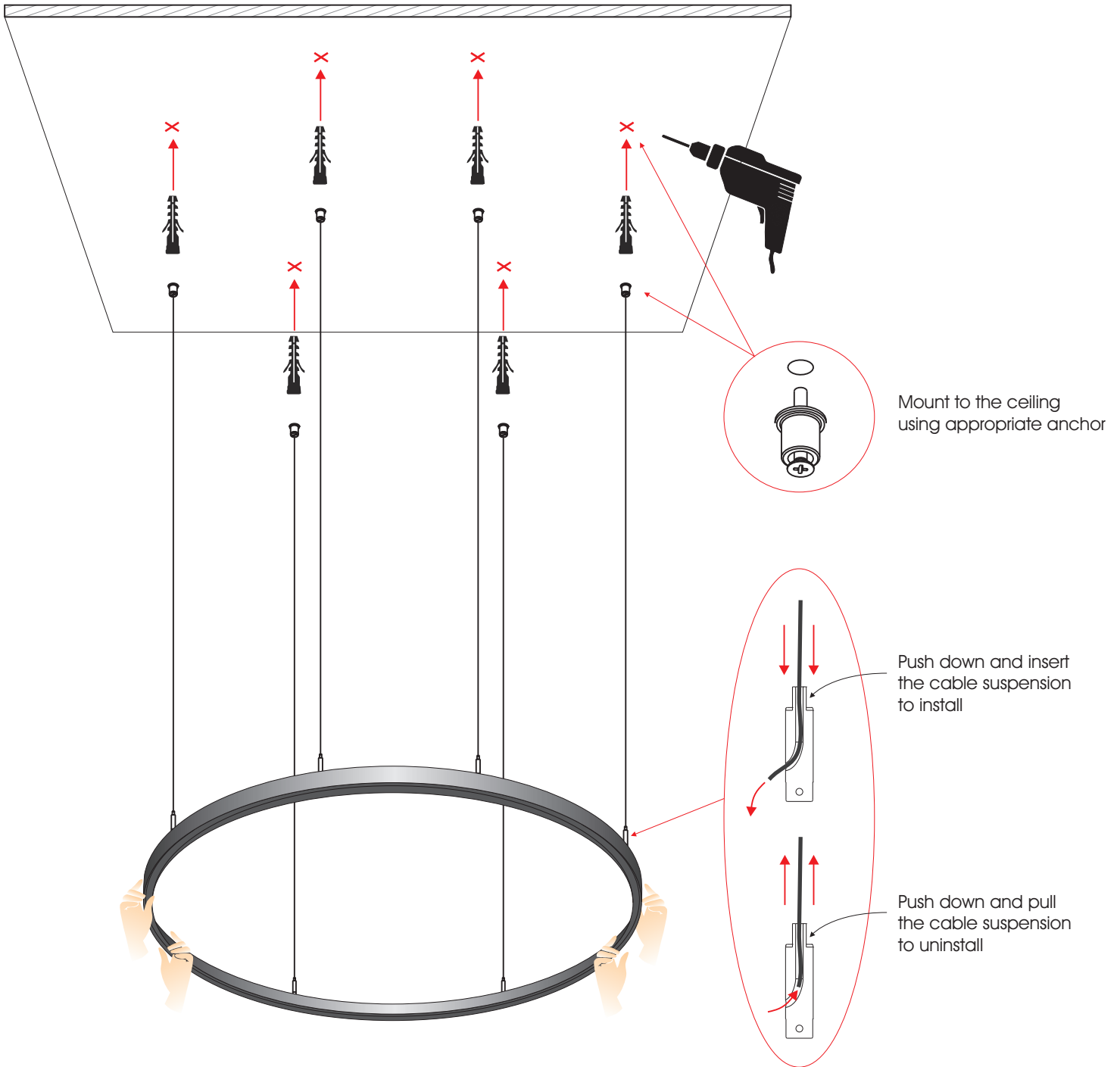
**2**



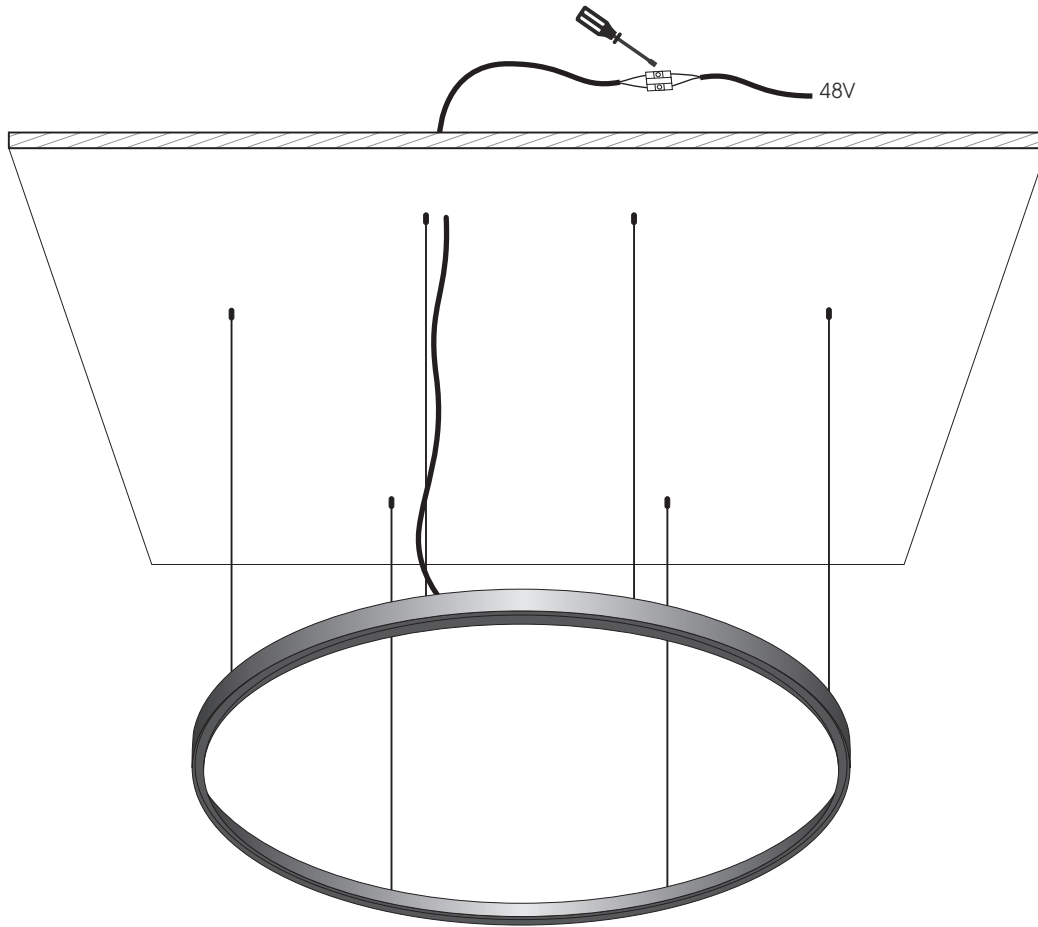
**3**



4



5



6

